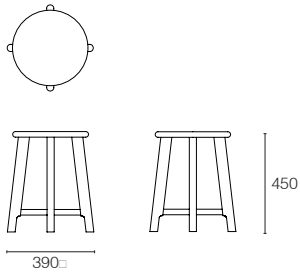




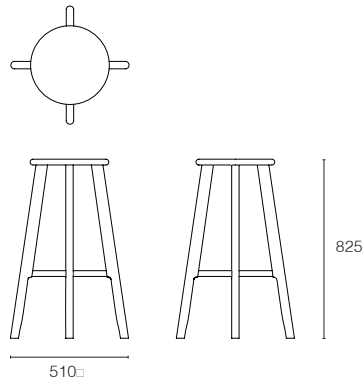
NOUGHTS AND CROSSES by Michael Sodeau



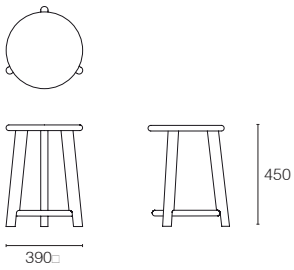
TECHNICAL DATA



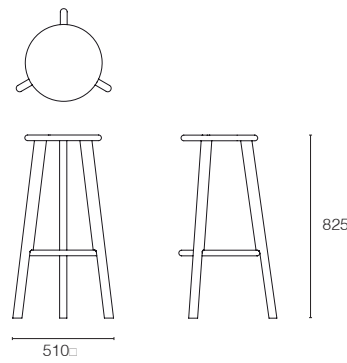
N+C001



N+C002



N+C003



N+C004

MATERIALS

FRAME



Oak

METAL



Red
RAL 3002



Black / Grey
RAL 7021

Produced from solid oak, with a matt lacquer finish and steel foot rest powder coated in a choice of two colours and two designs.

REFERENCES

